

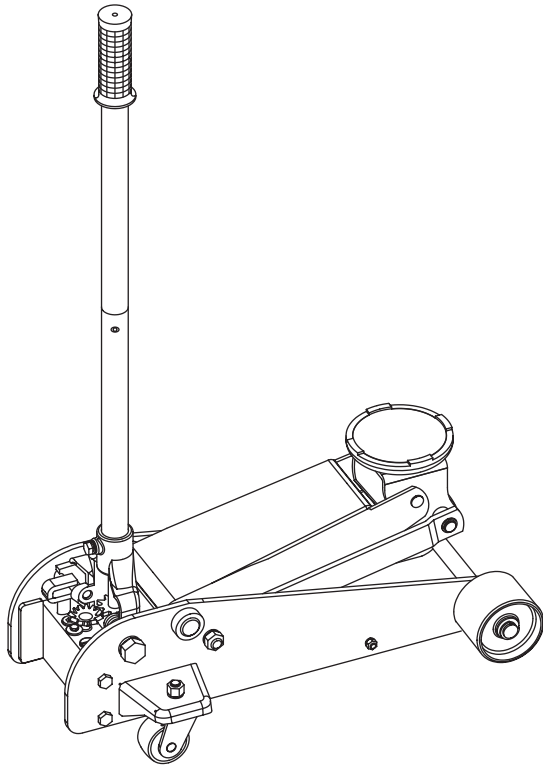
# Operators Manual



## FLOOR JACK

Model 950136 - 3 Ton Capacity

- Safety
- Assembly
- Operation
- Maintenance
- Parts



**⚠** **BEFORE** using this product, read this manual and follow all its Safety and Operating instructions. Failure to do so may result in personal injury and/or property damage.

Sears, Roebuck and Co., Hoffman Estates, IL 60179  
Visit our Craftsman website: [www.sears.com/craftsman](http://www.sears.com/craftsman)

## TABLE OF CONTENTS

Warranty	.....P. 2
Save these instructions	.....P. 2
Safety instructions	.....P. 3
Assembly	.....P. 3
Operation	.....P. 4 & P. 5
Maintenance	.....P. 6
Troubleshooting	.....P. 7
Parts	.....P. 7
Service	.....Back cover

## WARRANTS

### CRAFTSMAN ONE YEAR FULL WARRANTY

If this Craftsman product fails due to a defect in material or workmanship within one year from the date of purchase, return it to any Sears store or other Craftsman outlet in the United States for free replacement.

This warranty applies for only 90 days from the date of purchase if this product is ever used for commercial or rental purposes.

This warranty gives you specific legal rights, and you may also have other rights which vary from state to state.

Sears, Roebuck and Co., Hoffman Estates, IL 60179

## SAVE THESE INSTRUCTIONS

For your safety, read, understand, and follow the information provided with and on this jack.

- The owner and operator of this equipment shall have an understanding of this jack and safe operating procedures before attempting to use. The owner and operator shall be aware that use and repair of this product may require special skills and knowledge. Instructions and safety information shall be conveyed in the operators native language before use of this product is authorized. If any doubt exists as to the safe and proper use of this jack, remove from service immediately.
- Inspect before each use. Do not use if broken, bent, cracked, or damaged parts (including labels) are noted. Any jack that appears damaged in any way, operates abnormally or is missing parts, shall be removed from service immediately.
- If the jack has been or suspected to have been subjected to a shock load (a load dropped suddenly, unexpectedly upon it), immediately discontinue use until jack has been checked by a Sears or other qualified service center. It is recommended that an annual inspection be done by qualified personnel.
- Labels and Operators Manual are available from Sears (see PARTS section on page 7).

# SAFETY INSTRUCTIONS

## ⚠ WARNING

- Study, understand, and follow all instructions provided with and on this device before use.
- Do not exceed rated capacity.
- Use only on hard, level surfaces.
- Lifting device only.
- Immediately after lifting, support the vehicle with appropriately rated jack stands.
- Do not move or dolly the vehicle while on the jack.
- Failure to heed these markings may result in personal injury and/or property damage.

## ! SAFETY MESSAGE !

Be sure all tools and personnel are clear before lowering load. No alterations shall be made to this device. Only attachments and/or adapters supplied by the manufacturer shall be used. Lift only on areas of the vehicle as specified by the vehicle manufacturer.

**NOTE:** Jack stands are rated per pair unless otherwise noted.

Use 1 matched pair per vehicle only.

## ⚠ WARNING



To avoid crushing and related injuries:

- NEVER work on, under or around a load supported only by a jack.
- ALWAYS use appropriately rated jack stands.

## ⚠ ADVERTENCIA

- Leer, comprender, y seguir las instrucciones antes de utilizar el aparato.
- El manual de instrucciones y la información de seguridad deben estar comunicado en lengua del operador antes del uso.
- No seguir estas indicaciones puede causar daños personales o materiales.

# ASSEMBLY

## TO ASSEMBLE THE TWO PIECE HANDLE

Assemble two piece handle by aligning holes in upper and lower handles. (see Fig. 1) Secure handle with provided bolt.

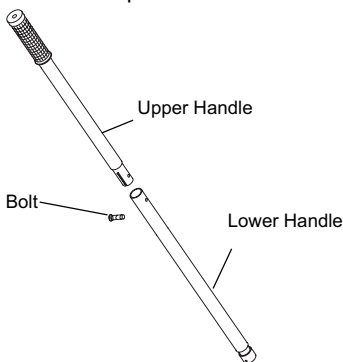


FIG. 1

## TO ASSEMBLE THE HANDLE INTO THE SOCKET

Insert the assembled handle into the socket. Secure with supplied bolt. (see Fig. 2)

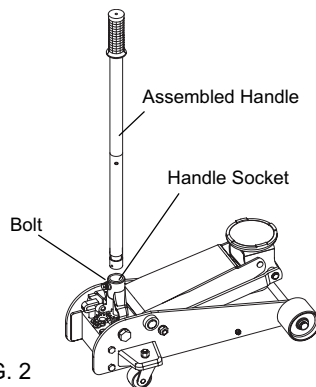


FIG. 2

# OPERATION

## KNOW YOUR JACK

Compare Fig. 3 illustration with your jack BEFORE operation to become familiar with the location of various jack components.

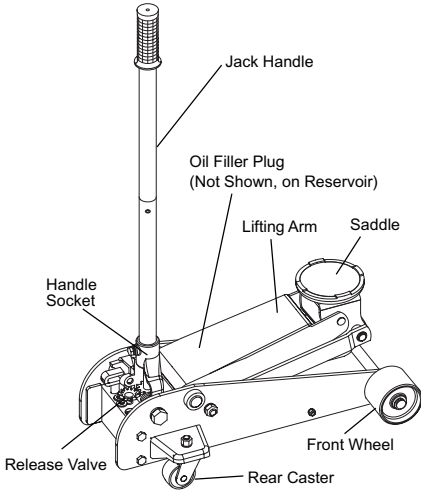


FIG. 3

## SPECIFICATIONS

Rated Capacity: 3 Ton / 6000 Lbs

Jack Dimensions: 25" x 13 7/16" x 6 7/16"

Lifting Range: 5 1/2" - 19"  
(140mm - 483mm)

Oil Capacity: 150 c.c.

Net Weight: 80.7 Lbs

## BEFORE USE

- Read the operator's manual completely and familiarize yourself thoroughly with the product, its components and recognize the hazards associated with its use.
- Occasionally during shipment and/or handling air can get trapped in the system, which can interfere with the jacks lifting performance.
- It is recommended to cycle the jack a few times without applying load:
  - Close release valve by turning the jack handle clockwise until tight.
  - Pump the handle until the jack saddle reaches its maximum height.
  - Open release valve by turning jack handle counterclockwise, but no more than 1/2 full turn. Allow the saddle to reach its lowest position.
  - Repeat the above procedure a few times.
- To release air from the hydraulic system:
  - Open the release valve by turning the jack handle counterclockwise, but never by more than 1/2 full turn.
  - Remove the oil filler plug from the cylinder. (see Fig. 4)
  - Rapidly pump jack handle through several full strokes.
  - Reinstall the oil filler plug into the cylinder again and jack is now ready to use.

# OPERATION

## OPERATING PRINCIPLES

- With release valve closed, an upward stroke of the jack handle draws oil from the reservoir tank into the plunger cavity. Hydraulic pressure holds a valve closed, which keeps the oil in the plunger cavity.
- A downward stroke of the jack handle releases oil into the cylinder, which forces the ram out. This raises the saddle. (NOTE: To avoid damage to the cylinder if the load exceeds the rated capacity of the jack, oil is automatically released back into the reservoir through the safety overload valve.)
- When the ram reaches maximum extension, oil is bypassed back into the reservoir to prevent an over-extended ram stroke and possible damage to the jack.
- Opening the release valve allows oil to flow back into the reservoir. This releases hydraulic pressure on the ram, which results in lowering the saddle.

## HOW TO USE YOUR JACK

### RAISING THE JACK

- Chock the vehicle wheels with appropriate devices to prevent vehicle from moving and to ensure lifting stability.
- Close the release valve by turning the jack handle clockwise until tight. (see Fig. 3)
- Refer to the vehicle manufacturer's owner's manual to locate approved lifting points on the vehicle. Position jack so that the saddle (see Fig. 3) is centered under the load at an appropriate lift point.
- Pump jack handle until saddle ALMOST contacts the vehicle. Check to see that the saddle is centered and will contact the load lifting point firmly.

- Continue to pump the jack handle to lift the vehicle to the desired height. After lifting, immediately support the load with appropriately rated jack stands BEFORE working on the vehicle.

**⚠** Rated capacity of jack stands is **per pair**, it is **NOT** the sum of individual capacities unless specifically noted to the contrary by the jack stand manufacturer. **Do Not** exceed rated capacity. **Ensure** that the vehicle support points are fully captured between the outer lugs of both jack stands. **Use** a matched pair of jack stands **per** vehicle to support **1** end **only**. **Use** 1 pair per vehicle **only**. Failure to do so may result in sudden loss of load, which may cause personal injury and/or property damage.

### LOWERING THE JACK

**⚠** To avoid crushing injuries and property damage: Keep hands and feet clear of work area when lowering load.

- Raise load high enough to clear the jack stands, then carefully remove jack stands (**always** used in pairs).
- SLOWLY open the release valve by turning the handle counterclockwise, but never more than 1/2 full turn. If the load fails to lower:
  - a. Use another jack to raise the vehicle high enough to reinstall jack stands.
  - b. Remove the affected jack and then the stands.
  - c. Using the other jack, lower the load by turning the operating handle counterclockwise, but no more than 1/2 full turn.
- After removing jack from under the load, push saddle down to reduce ram exposure to rust and contamination.

# MAINTENANCE

## MAINTAINING OIL LEVEL

**Important:** Use only a good grade hydraulic jack oil. Avoid mixing different types of fluid and Never use brake fluid, turbine oil, transmission fluid, motor oil or glycerin. Improper fluid can cause failure of the jack and the potential for sudden and immediate loss of load. We recommend Mobil DTE13M or equivalent.

## ADDING OIL

- Position the jack on level ground and fully lower the saddle. (Ram will be all the way in). Remove oil filler plug from the reservoir (see Fig. 3 & 4).
- Oil should be filled to the level of about 3/16" above the inner cylinder as seen from the oil filler hole. If low, add oil as needed.
- Re-install oil filler plug. The jack is now ready to use.

## LUBRICATION

- Add lubricating oil to all moving parts as needed.

## PREVENTING RUST

- Check ram and pump piston (see Fig. 4) every few months for any signs of rust or corrosion. Clean as needed by wiping with an oily cloth.
- When not in use, ALWAYS store jack with saddle lowered all the way down.

## ANNUAL INSPECTION

To ensure that it is in optimum condition, annual inspection of the jack at a Sears Service Center is recommended.

## REPLACING OIL

- To drain oil, with saddle fully lowered, remove oil filler plug and open release valve. Turn jack over and drain old oil out through the oil filler hole and into a suitable container.
- Note: Dispose of hydraulic oil in accordance with local regulations.
- Refill with new oil through the oil filler hole. DO NOT allow dirt or foreign material to enter the hydraulic system when filling.
- After refilling, remove any air from the hydraulic system by opening the release valve and rapidly pumping the jack handle several times.
- Re-install oil filler plug and the jack is ready to use.

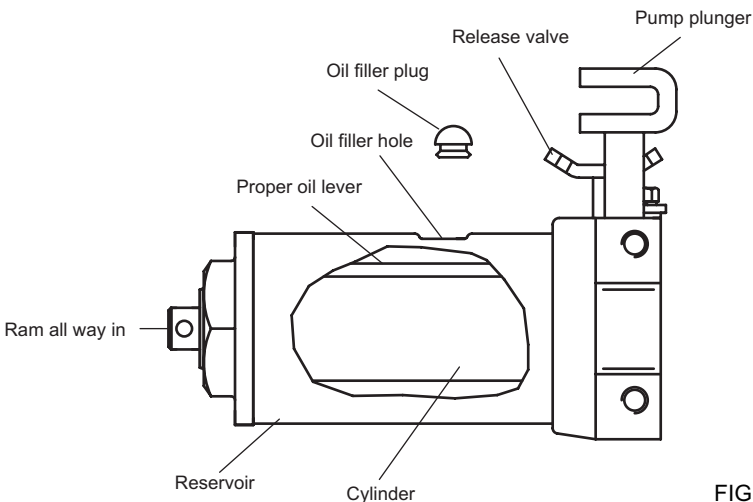


FIG. 4

# TROUBLESHOOTING

## PROBLEM-SOLVING HINTS

Symptom	Possible Causes	Corrective Action
Jack does not lift load	<ul style="list-style-type: none"> <li>• Release valve not tightly closed</li> <li>• Overloaded - too much weight on jack</li> </ul>	<ul style="list-style-type: none"> <li>• Ensure release valve is tightly closed</li> <li>• Reduce weight on jack</li> </ul>
Jack bleeds off (starts to lower) after lift	<ul style="list-style-type: none"> <li>• Release valve not tightly closed</li> <li>• Hydraulic unit malfunction</li> </ul>	<ul style="list-style-type: none"> <li>• Ensure release valve is tightly closed</li> <li>• Replace power unit assembly</li> </ul>
Jack does not lower after unloading	<ul style="list-style-type: none"> <li>• Oil reservoir overfilled</li> <li>• Linkages binding</li> </ul>	<ul style="list-style-type: none"> <li>• Drain fluid to proper level</li> <li>• Clean and lubricate moving parts</li> </ul>
Poor lift performance	<ul style="list-style-type: none"> <li>• Fluid level low</li> <li>• Air trapped in system</li> </ul>	<ul style="list-style-type: none"> <li>• Ensure proper fluid level</li> <li>• With ram fully retracted, open release valve and remove oil filler plug, pump handle several times to expel trapped air. Replace oil filler plug.</li> </ul>
Does not lift to full extension	<ul style="list-style-type: none"> <li>• Fluid level low</li> </ul>	<ul style="list-style-type: none"> <li>• Ensure proper fluid level</li> </ul>

# PARTS

## MODEL NUMBER: 50136

The Model Number and Serial Number are found on the lifting arm and handle socket respectively. Always mention the Model Number and Serial Number when requesting service or repair parts for your jack.

### PARTS ARE ONLY AVAILABLE IN ASSEMBLIES (except Saddle)

Key	Description
1	Saddle
2	Handle Assembly
3	Front Wheel
4	Handle Socket Assembly
5	Rear Caster Assembly
6	Power Unit Assembly
—	Oil Filler Plug
—	Operators Manual
—	Warning Label

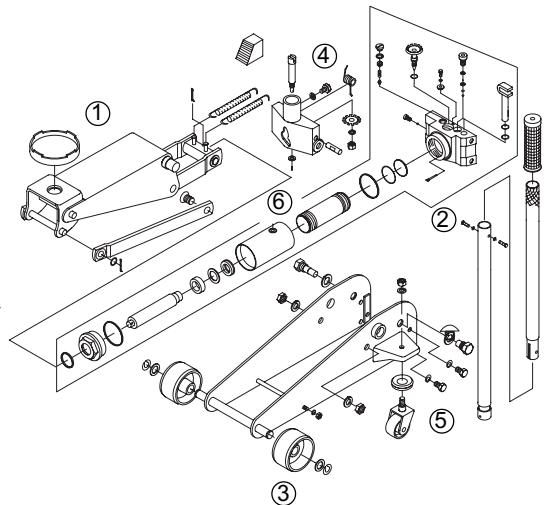


FIG. 5

For after sale support and assistance:  
Call 8:00 AM - 4:45 PM CST., Monday - Friday 1-888-332-6419

# Get it fixed, at your home or ours!

## Your Home

For repair – **in your home** – of all major brand appliances, lawn and garden equipment, or heating and cooling systems, **no matter who made it, no matter who sold it!**

For the replacement parts, accessories and owner's manuals that you need to do-it-yourself.

For Sears professional installation of home appliances and items like garage door openers and water heaters.

**1-800-4-MY-HOME®**  
(1-800-469-4663)

Call anytime, day or night  
(U.S.A. and Canada)

[www.sears.com](http://www.sears.com)

[www.sears.ca](http://www.sears.ca)

---

## Our Home

For repair of carry-in items like vacuums, lawn equipment, and electronics, call or go on-line for the location of your nearest **Sears Parts and Repair Center.**

**1-800-488-1222** Call anytime, day or night (U.S.A. only)  
[www.sears.com](http://www.sears.com)

---

To purchase a protection agreement (U.S.A.) or maintenance agreement (Canada) on a product serviced by Sears:

**1-800-827-6665** (U.S.A.)

**1-800-361-6665** (Canada)

---

Para pedir servicio de reparación a domicilio, y para ordenar piezas:

**1-888-SU-HOGAR®**  
(1-888-784-6427)

Au Canada pour service en français:

**1-800-LE-FOYER<sup>MC</sup>**  
(1-800-533-6937)  
[www.sears.ca](http://www.sears.ca)



© Sears Brands, LLC

® Registered Trademark / <sup>TM</sup> Trademark / <sup>SM</sup> Service Mark of Sears Brands, LLC

® Marca Registrada / <sup>TM</sup> Marca de Fábrica / <sup>SM</sup> Marca de Servicio de Sears Brands, LLC

<sup>MC</sup> Marque de commerce / <sup>MD</sup> Marque déposée de Sears Brands, LLC